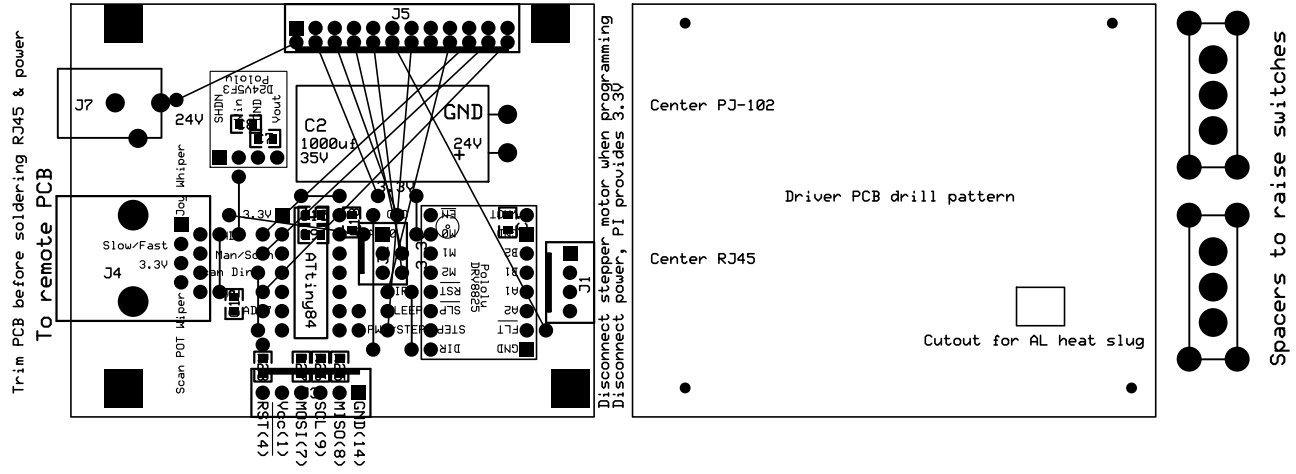
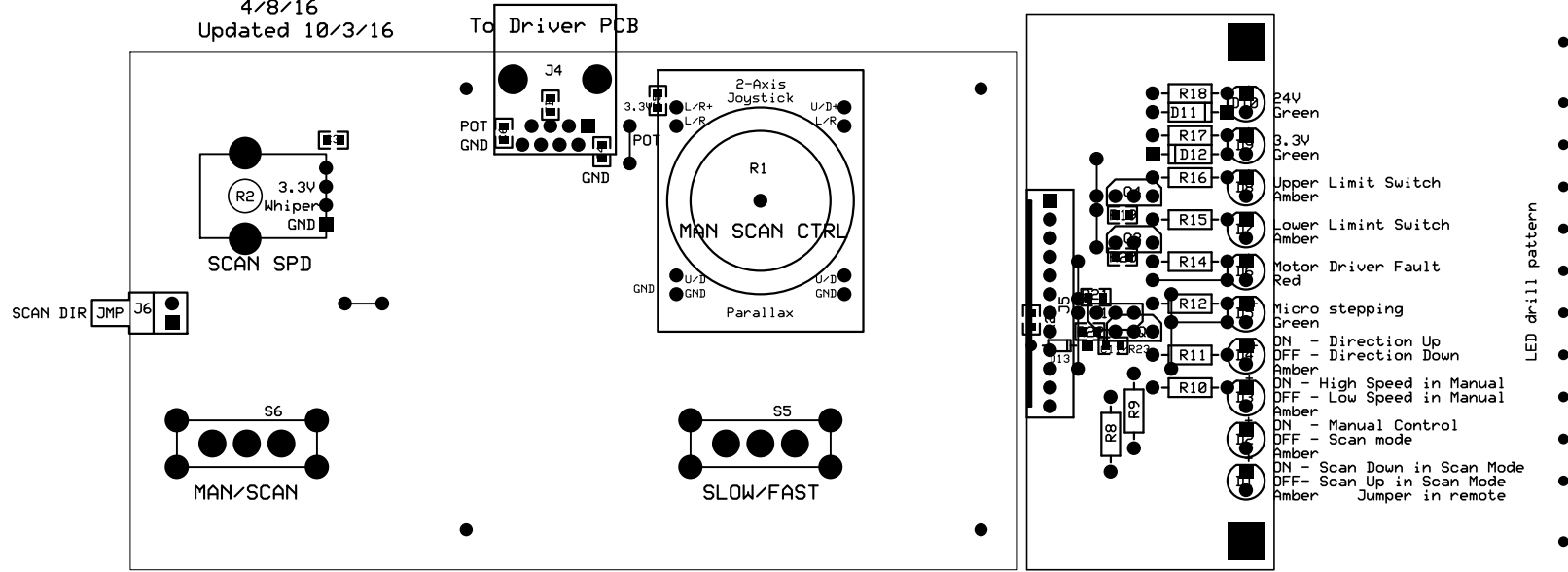


STEP\_SPEC.PCB  
4/8/16  
Updated 10/3/16



Disconnect stepper motor when programming  
Disconnect power, PI provides 3.3V