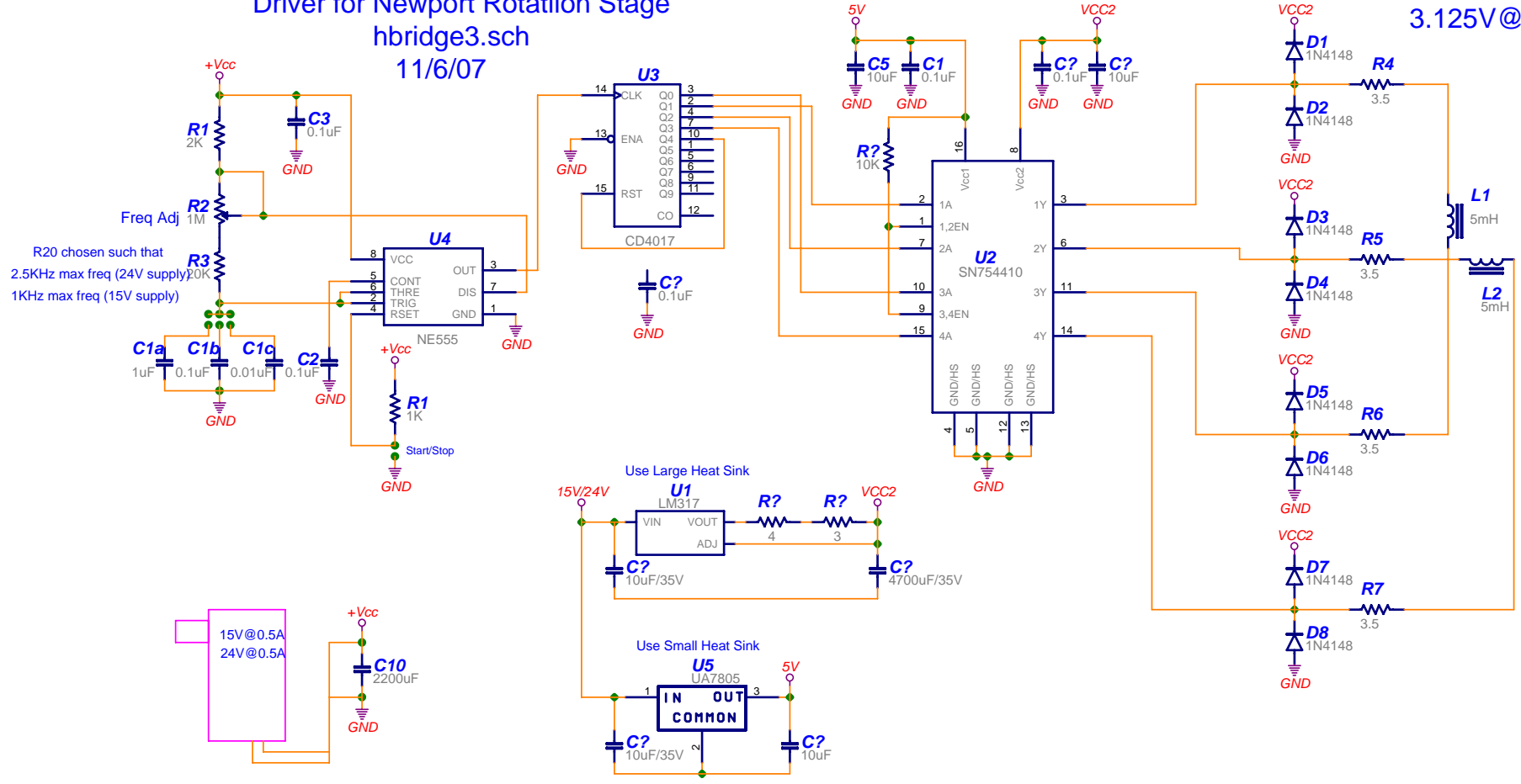


### Driver for Newport Rotation Stage hbridge3.sch 11/6/07

UE16PP stepper motor  
DC res ~13 ohms  
3.125V@0.18A



R20 chosen such that  
2.5KHz max freq (24V supply)  
1KHz max freq (15V supply)

Use Large Heat Sink

Use Small Heat Sink